

Collective Base Evo2

The Evo2 base has 2 adjustment ranges:

The operating resistance and the end positions.

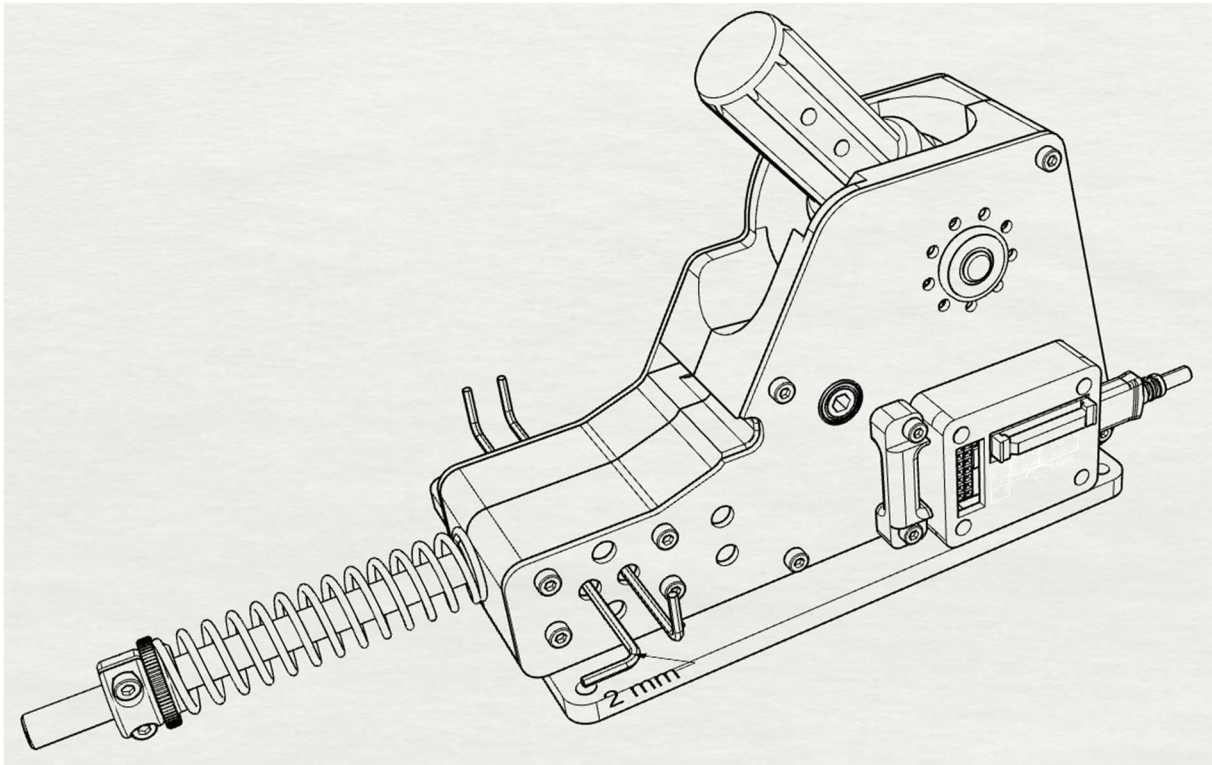
The setting of these points is described individually below.

The operating resistance

the mechanism can be adjusted using 4 internal M4 threaded pins with a 2mm Allen key. The threaded pins press on the two inner friction elements, which then clamp the polished aluminum push rod.

To do this, these 4 threaded pins can be carefully adjusted using a 2 mm Allen key. Please adjust the 4 threaded pins as evenly as possible.

The adjustment points are shown in the picture by representing the 4 “key” positions.



The holding force can be adjusted to your preference. A realistic setting would have to push the stick slightly upwards in the lowest position (spring fully tensioned).

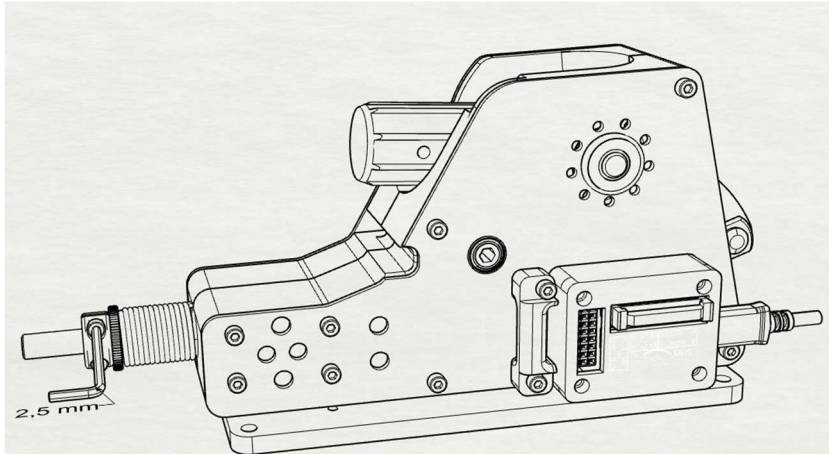
To correct any unevenness, which may be noticeable in the form of noise or jerking, simply loosen all four setscrews. Then screw them all in until you feel resistance. Then tighten all four again evenly to the same value.

Setting the end positions of the collective stick:

The lower and upper position of the mechanism can be adjusted via 2 segment rings.

The ring visible on the outside of the aluminum push rod is responsible for the lower position. The ring has M3 screws with a 2.5 mm hexagon socket and can be easily moved on the push rod after loosening.

The picture shows the setting of the lowest position by moving the ring to the block position of the spring.



The upper position is reached by moving the inner ring. To do this, loosen one of the ring screws and leave the Allen key in the screw so that the ring stays in that position. Move the mechanism to the desired angle and fix the ring again.

